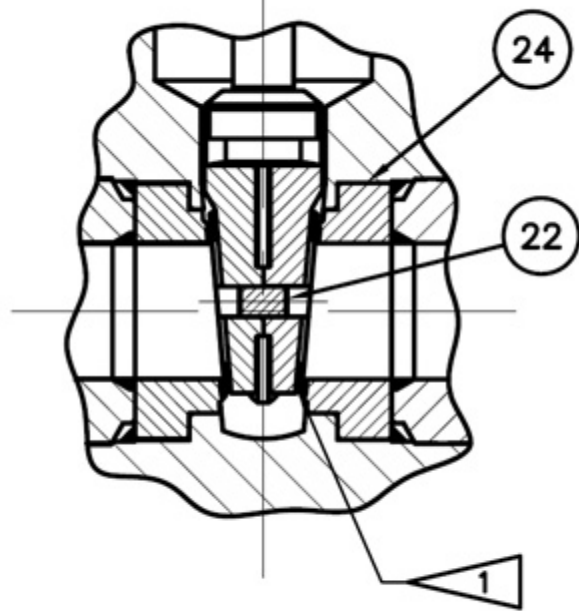


SECTION A - A



VIEW B